

RQ-7 SHADOW BALSAWOOD AIRPLANE



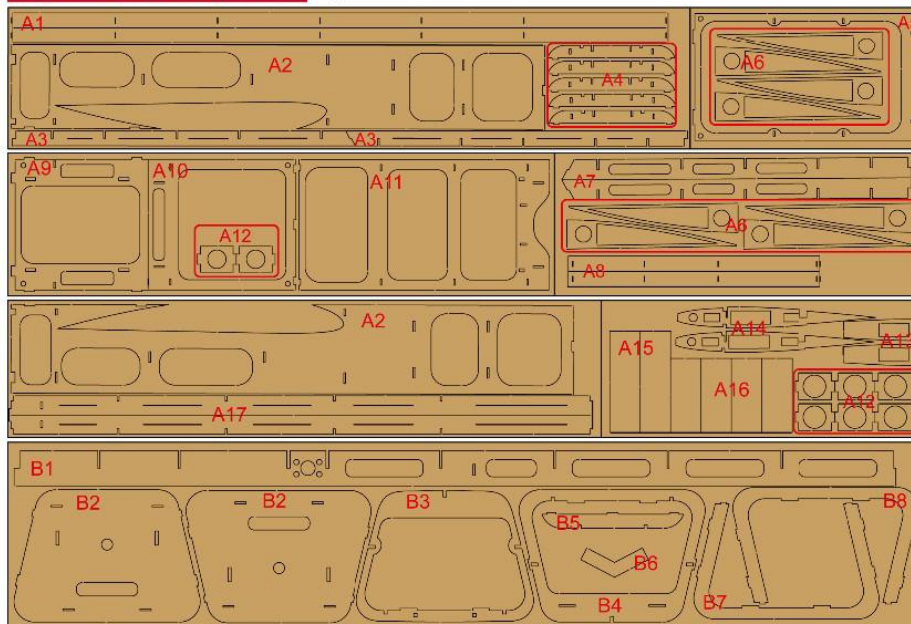
Specification

Wingspan: 2000mm
 Length: 1630mm
 Flying Weight: 3200-4000g
 Motor: 2820 900-1100KV
 Propeller: 12 x 6
 ESC: 60A
 Battery: 5000-10000mAh 4S Li-Po
 Servos: 2 x 17g; 2 x Std servo

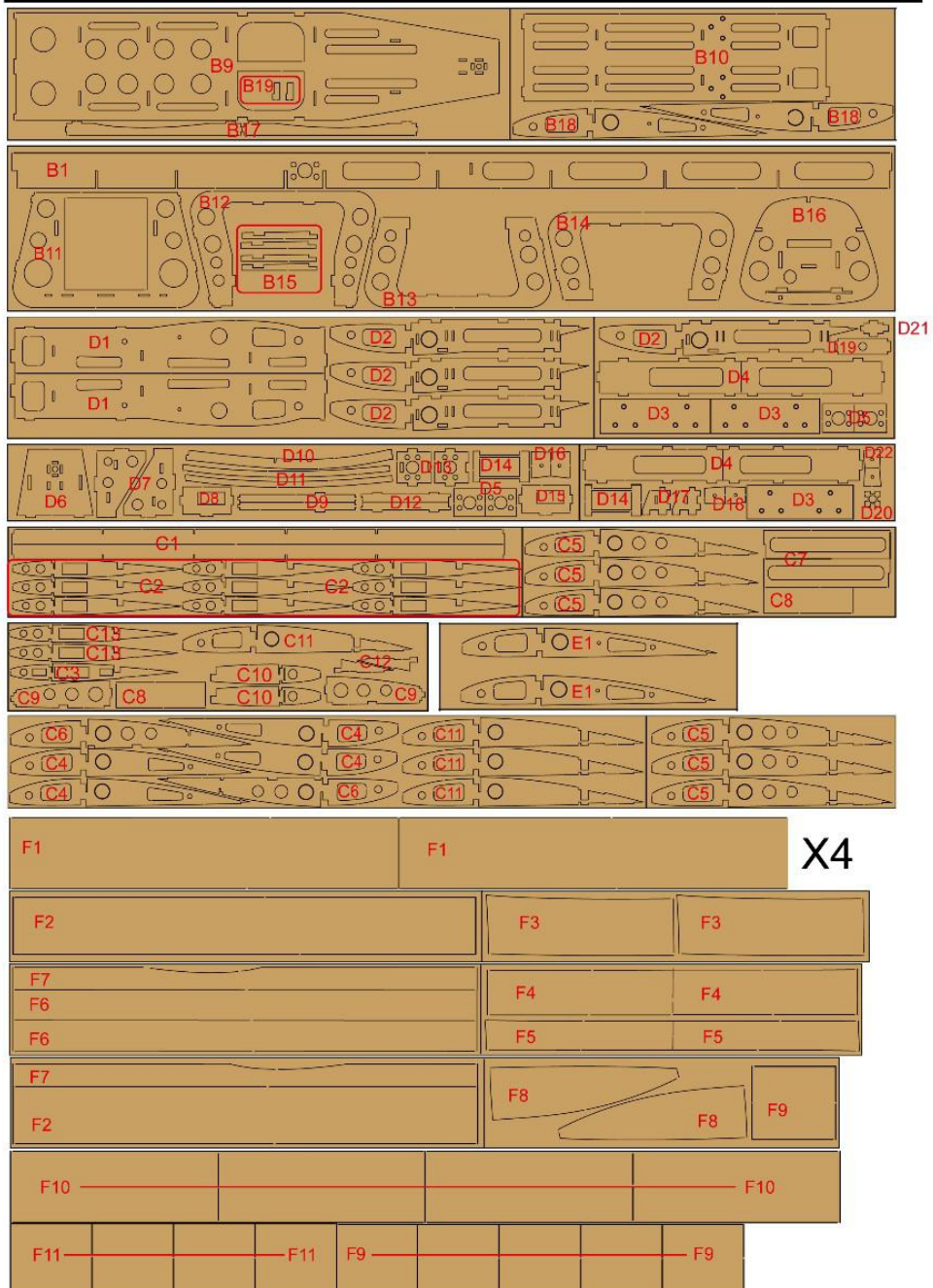
Accessories



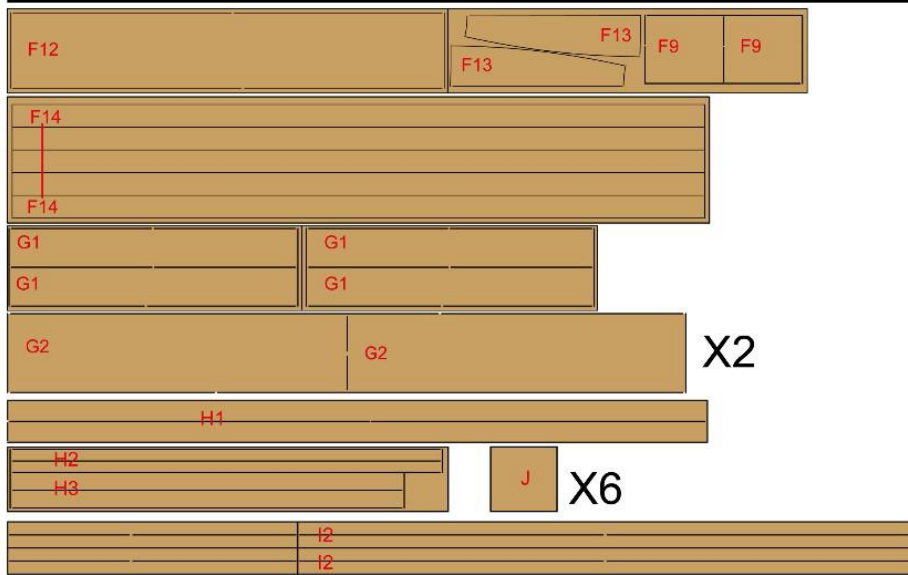
Sheet Part Numbers



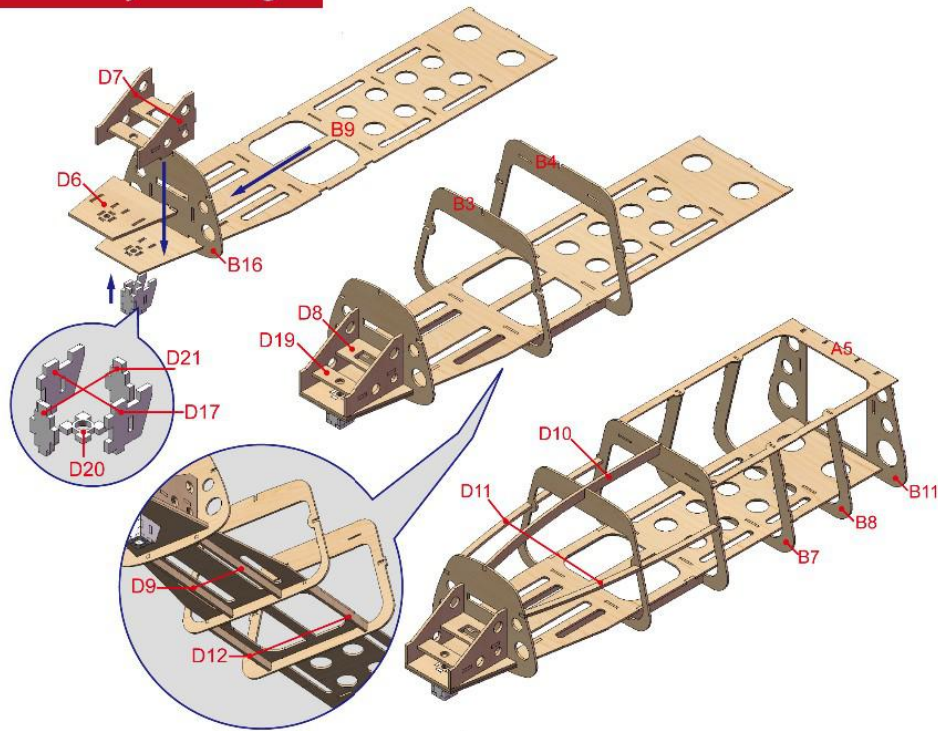
RQ-7 SHADOW BALSAWOOD AIRPLANE



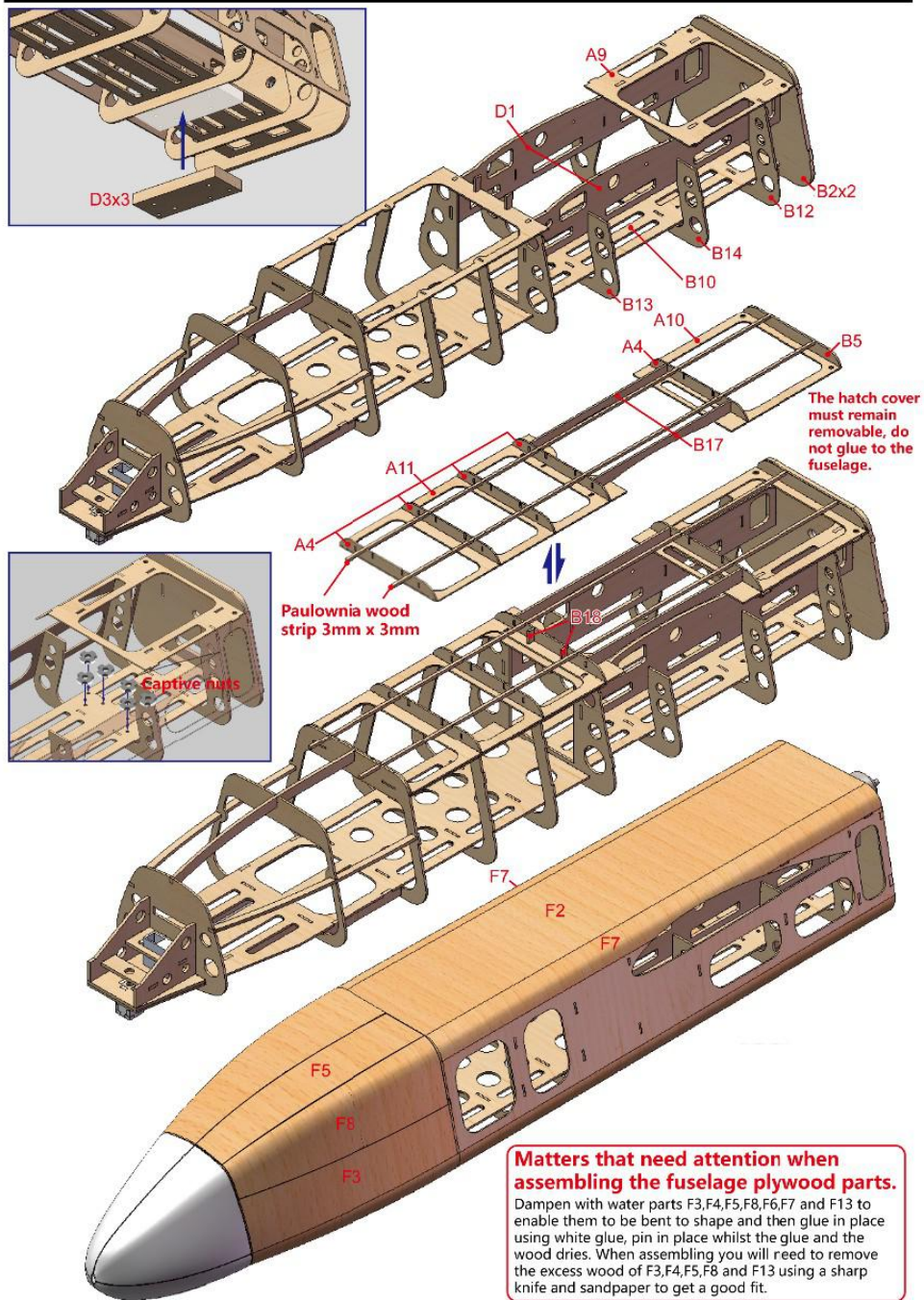
RQ-7 SHADOW BALSAWOOD AIRPLANE



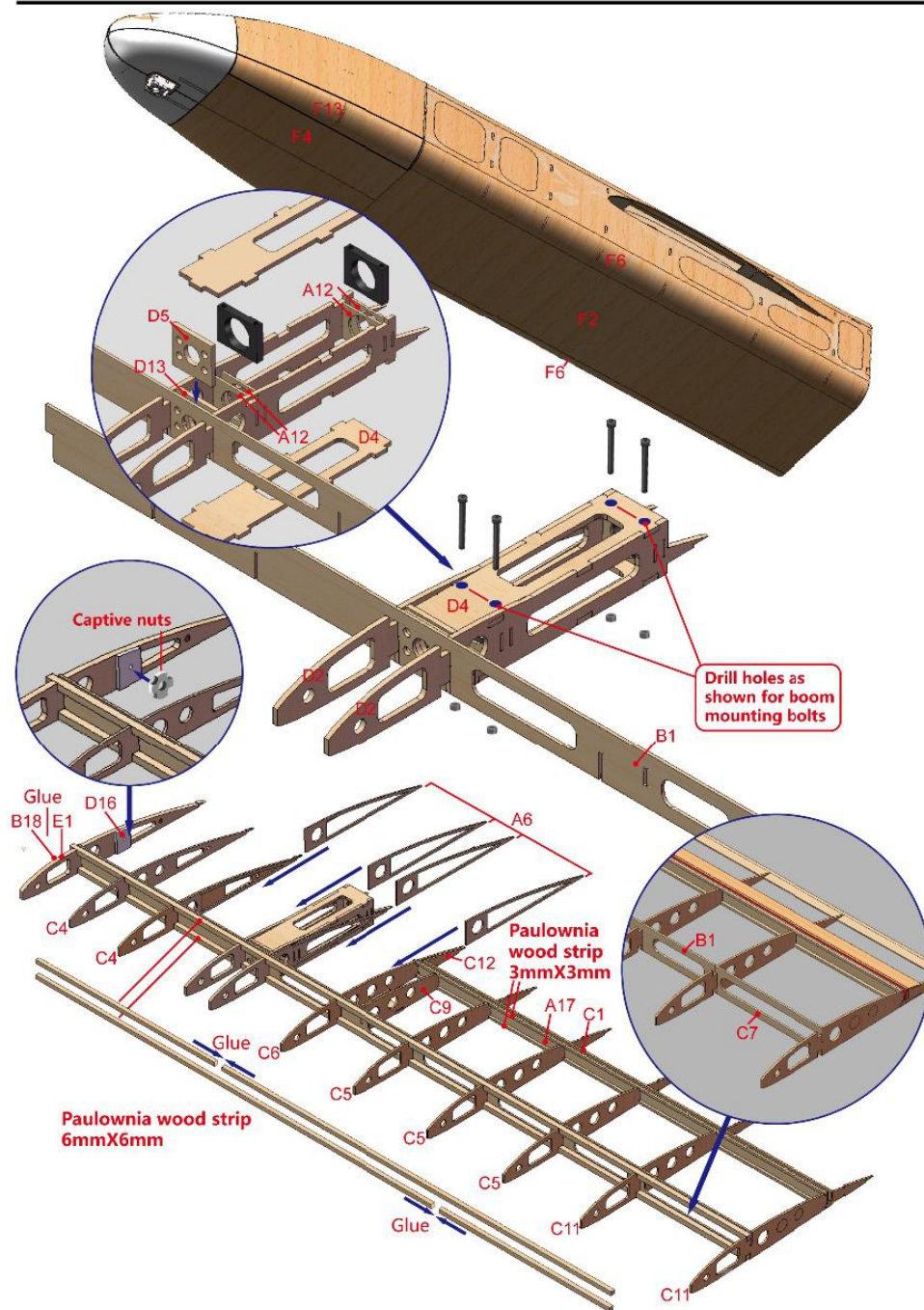
Assembly of Fuselage



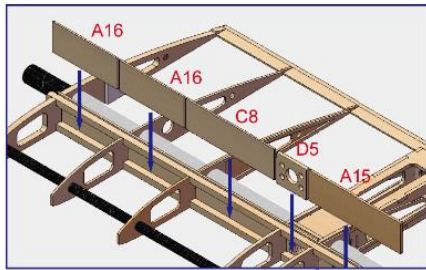
RQ-7 SHADOW BALSAWOOD AIRPLANE



RQ-7 SHADOW BALSAWOOD AIRPLANE

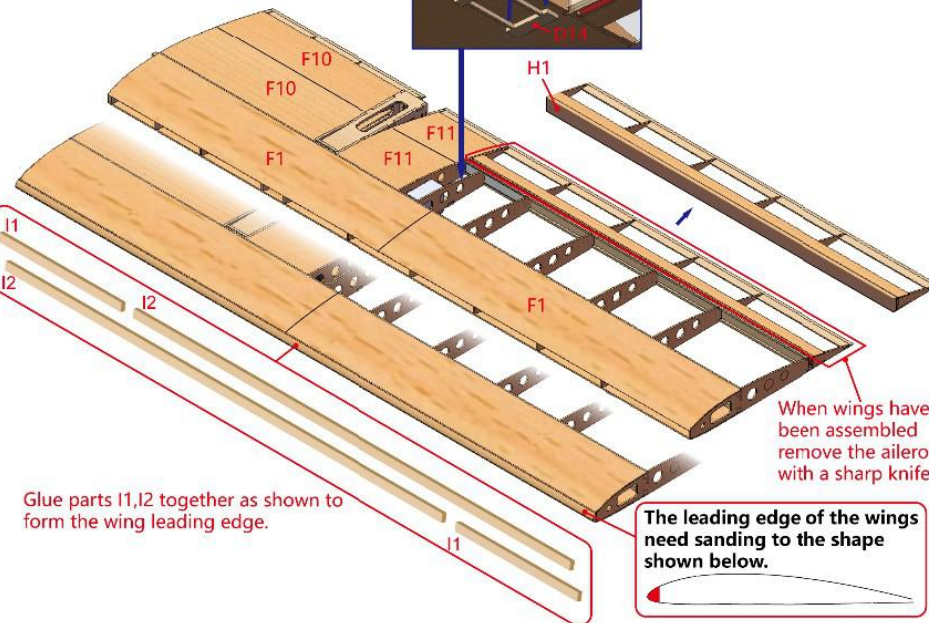
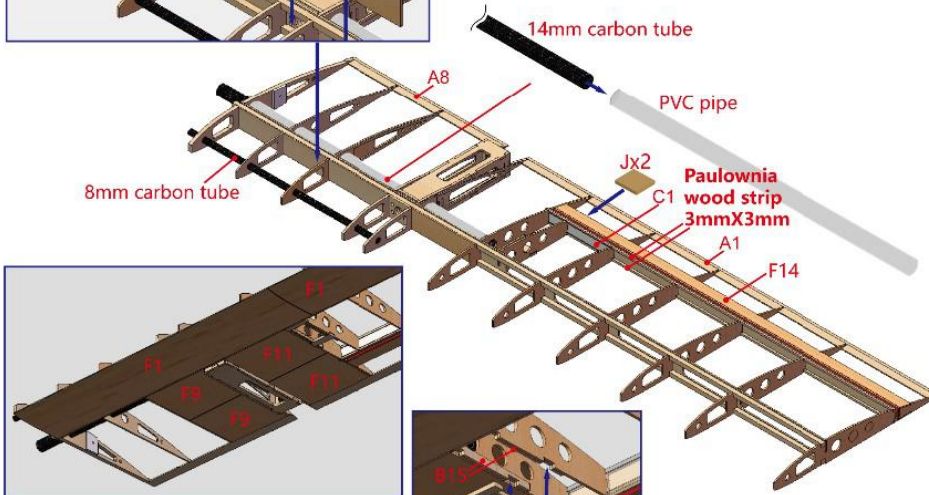


RQ-7 SHADOW BALSAWOOD AIRPLANE



Matters that need attention when assembling the wing support tube.

The wing of the RQ-7 is removable. First insert the carbon wing tube into the PVC pipe, then insert into the wing ribs. Secondly glue the PVC pipe to the wing ribs and allow the glue to set. Finally remove the carbon wing tube.



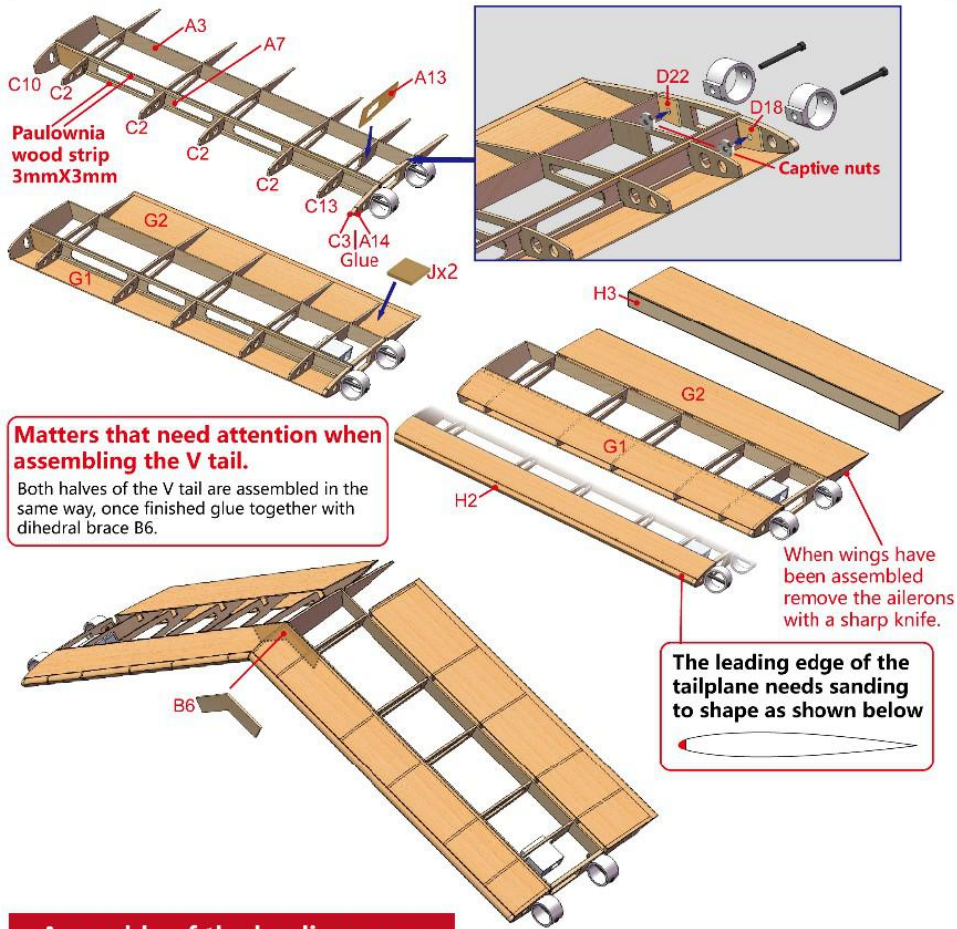
Glue parts I1,I2 together as shown to form the wing leading edge.

When wings have been assembled remove the ailerons with a sharp knife.

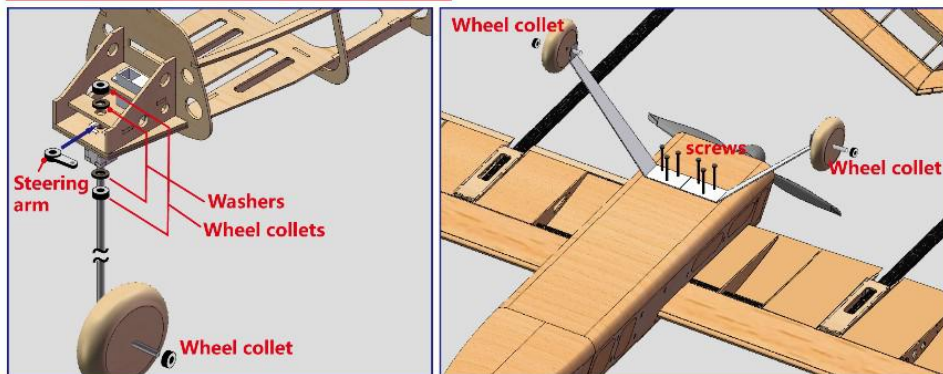
The leading edge of the wings need sanding to the shape shown below.



RQ-7 SHADOW BALSAWOOD AIRPLANE

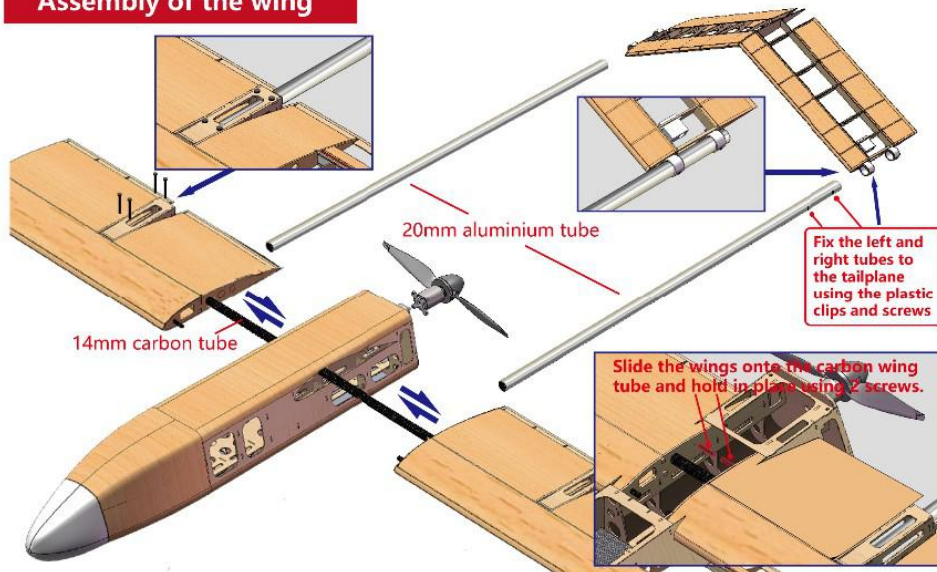


Assembly of the landing gear



RQ-7 SHADOW BALSAWOOD AIRPLANE

Assembly of the wing



Position of center of gravity



ADDITIONAL SAFETY PRECAUTIONS AND WARNINGS

Age Recommendation: This is not a toy, not for children under 14 years old.

1. Always keep a safe distance in all directions around your model to avoid collisions or injury. The model is controlled by a radio subject to interference from many sources outside your control. Interference can cause momentary loss of control.
2. Always operate your model in open spaces away from full-size vehicles, traffic and people.
3. Always carefully follow the directions and warnings for this and any optional support equipment (chargers, rechargeable battery packs, etc.).
4. Always keep all chemicals, small parts and anything electrical out of the reach of children.
5. Always avoid water exposure to all equipment not specifically designed and protected for this purpose. Moisture causes damage to electronics.
6. Never place any portion of the model in your mouth as it could cause serious injury or even death.
7. Never operate your model with low transmitter batteries.